



# Tresham®

60" single-threshold shower base w/ integral seat  
K-1976

## Features

- Low-threshold design for easy entry and exit.
- Single threshold for three-wall installation.
- Integral 18" (457 mm) undercut seat at left.
- Coordinates with other products in the Tresham collection.

## Material

- Acrylic.

## Installation

- Right drain.

## Recommended Products/Accessories

- K-1733 9 kW Steam Generator
- K-702206-G73 Frameless Sliding Shower Door
- K-702207-L Frameless Sliding Shower Door
- K-706009-D3 Frameless Sliding Shower Door
- K-706009-L Frameless Sliding Shower Door
- K-706012-L Frameless Sliding Shower Door
- K-706013-L Frameless Sliding Shower Door
- K-706015-D3 Frameless Sliding Shower Door
- K-706015-L Frameless Sliding Shower Door
- K-706019-L Frameless Sliding Shower Door
- K-9132 Shower Drain
- K-23726 Drain treatment
- K-23732 Tub & shower cleaner



## Codes/Standards






- CSA B45.5/IAPMO Z124
- ASTM E162
- ASTM E662

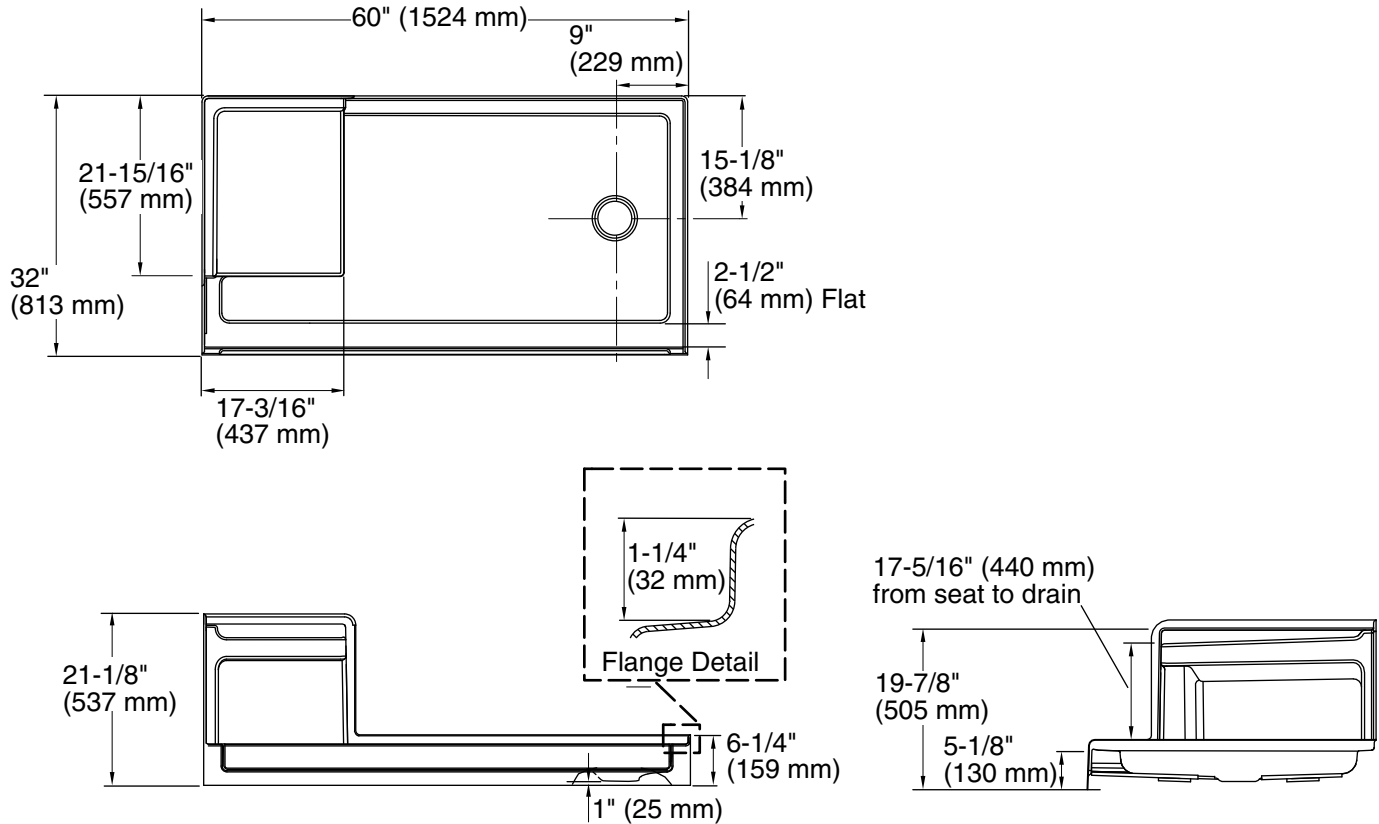
## KOHLER® Plastic Baths and Receptors Lifetime Limited Warranty

See website for detailed warranty information.

## Available Colors/Finishes

*Color tiles intended for reference only.*

Color	Code	Description
	0	White
	96	Biscuit
	NY	Dune
	95	Ice™ Grey
	G9	Sandbar



## Technical Information

All product dimensions are nominal.

Installation: Three-wall alcove  
 Drain location: Right  
 Weight: 72 lbs (32.7 kg)  
 Minimum floor load: 20 lbs/ft<sup>2</sup> (97.6 kg/m<sup>2</sup>)

## Notes

Measure your actual product for rough-in details.  
 Install this product according to the installation instructions.  
 Shimming may be required between the stud frame and the fixture.  
 Stud opening tolerance is +1/4" (6 mm), -0" (0 mm).  
 KOHLER steam generator/control kit are designed for use with this product. Kohler Co. shall not be responsible for problems encountered due to the installation and use of other manufacturer's steam generators.